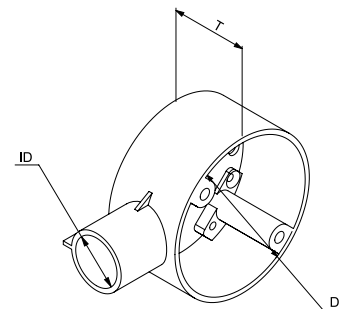


Data sheet

ID	HFCB xx/1 WS
Description	terminal box, halogen-free
Properties	Circular box for surface installation with 2 mounting lugs, standard mounting screw spacing 50.8mm (2") for conduit diameters 20 mm, 25 mm oder 32 mm, with brass inserts M 4, without lid
Colour	white, similar to RAL 9010



Working temperature	Degree of protection (IP)	UV-Level
-25 to 90 °C	IP3X	L2

Art. no.	Dimensions Ø/LxB x T	For tube diameter	Small Package	Large Package
037 038	65 x 32 mm	20 mm	25 pc	200 pc
041 622	65 x 32 mm	25 mm	25 pc	200 pc

Further technical details

Details	
Halogen free	True
Tackable	False
Number of inlets	1
Type of housing feed-through	Pipe socket
Equipped with	None
Cover model	Mounting cover
Explosion-tested version	False
Weatherproof	False
Material	PC-Blend

*) L1: Indoor use - to avoid UV discoloration (no exposure to direct sunlight).

L2: Partially shaded: Outside, in areas with sun only for two to four hours a day, in shadowy places.

L3: Full sun: To be used also in areas with whole-day exposure to sunlight, e. g. roofs, antenna poles or PV panels.

Civil engineering and road construction products marked "L2" have to be laid in the shortest time possible to ensure color fastness and stability.

All figures refer to standardised test samples and are given to our best knowledge but without further commitment. It is Univolt's belief that information set forth in this Data Sheet is accurate, Univolt makes no warranty, expressed or implied, with respect thereto and disclaims any liability from reliance thereon. All data are subject to change without prior notice.